

## Water-Resistant Circuit Breaker Switch Panels

PN 4320 / PN 4323, 4 Position

PN 4322 / PN 4325, 6 Position

PN 4321 / PN 4324, 12V DC Socket, 2.1A Dual USB Charger, 4 Position

**WARNING:** Disconnect all battery connections before beginning the installation.  
Do not mount where flammable vapors may accumulate.  
(examples include engine room and propane locker)

### Specifications

Operating voltage	12V DC Nominal
Maximum total continuous current	45A
Circuit breaker rating	15A
Required ring terminal	#10 (5 mm)
Circuit breaker positive load terminal	.25" Male quick connect
Maximum terminal stud torque	2.25 N-m (20 in-lb)
Maximum mounting screw torque	1.13 N-m (10 in-lb)

### Regulatory

Panel front is water-resistant IP66 when mounted with gasket in place.  
Water-resistant IP66 - protected against powerful water jets

### TO RESET A CIRCUIT BREAKER

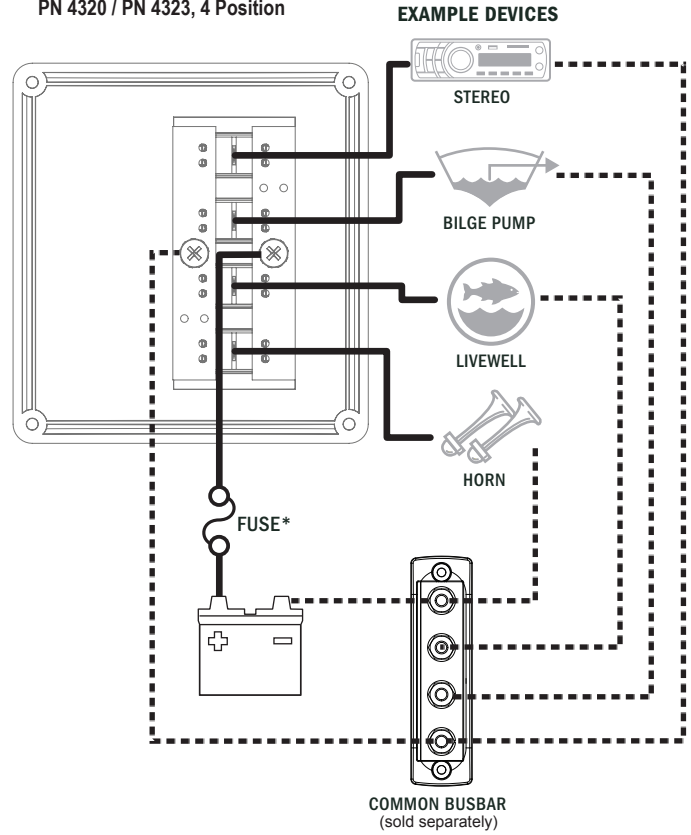
Press switch to OFF first and then press switch to ON.

Blue Sea Systems, Inc.  
4600 Ryzex Way  
Bellingham, WA 98226 USA  
p 360.738.8230  
[www.blueseasystems.com](http://www.blueseasystems.com)

980033780 Rev.001

### WIRING DIAGRAM

PN 4320 / PN 4323, 4 Position



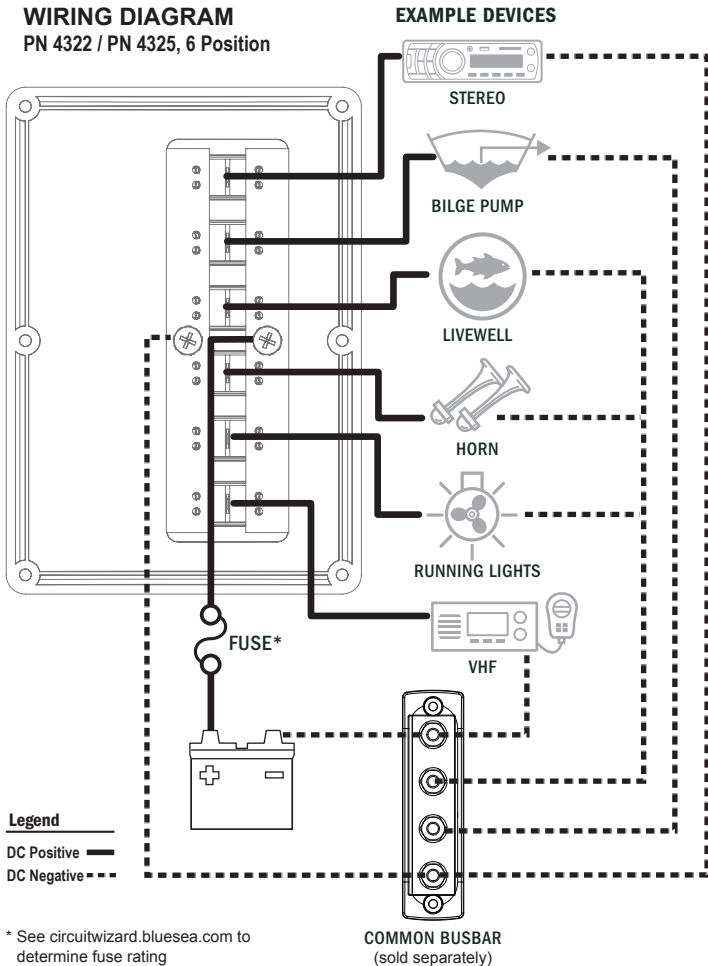
#### Legend

DC Positive ———  
DC Negative - - - -

\*See [circuitwizard.blueseasystems.com](http://circuitwizard.blueseasystems.com) to determine fuse rating

### WIRING DIAGRAM

PN 4322 / PN 4325, 6 Position



#### Legend

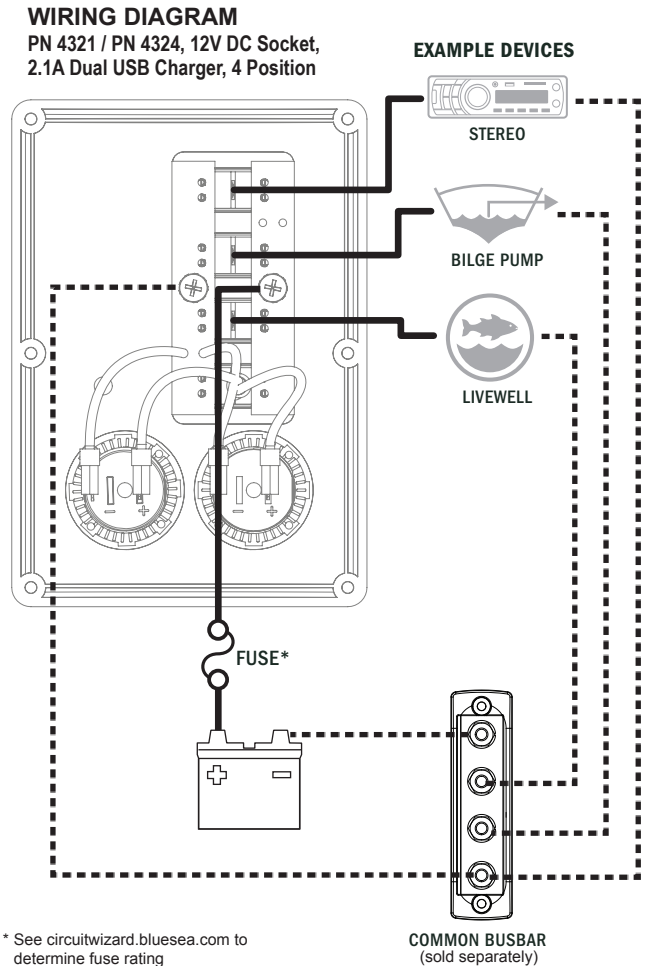
DC Positive ———  
DC Negative - - - -

\* See [circuitwizard.blueseasystems.com](http://circuitwizard.blueseasystems.com) to determine fuse rating

COMMON BUSBAR  
(sold separately)

### WIRING DIAGRAM

PN 4321 / PN 4324, 12V DC Socket,  
2.1A Dual USB Charger, 4 Position



\* See [circuitwizard.blueseasystems.com](http://circuitwizard.blueseasystems.com) to determine fuse rating

COMMON BUSBAR  
(sold separately)